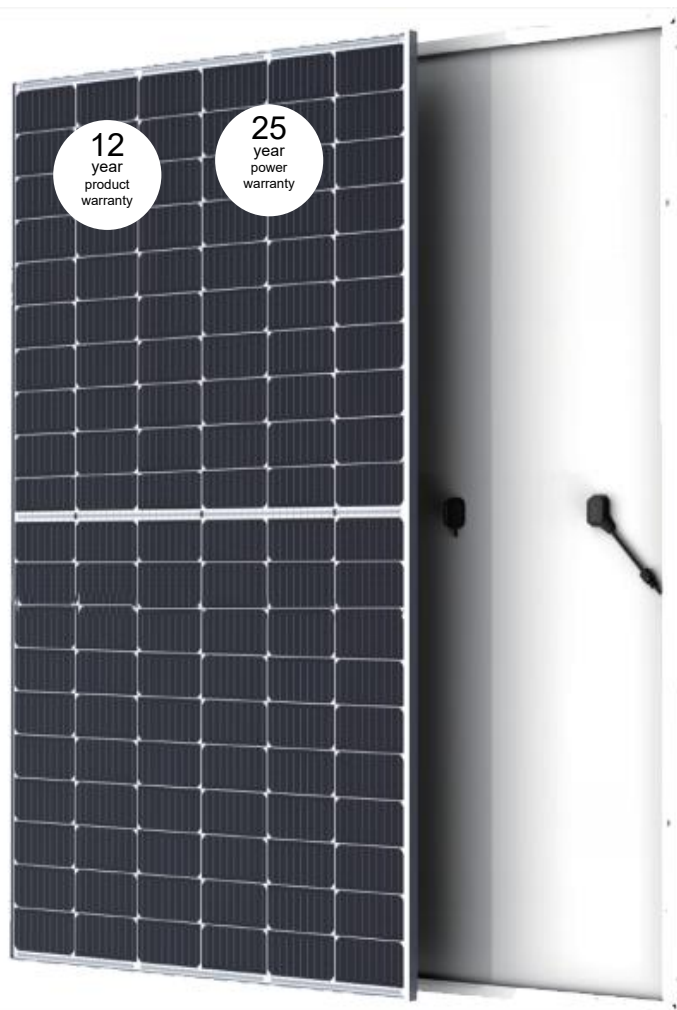


Monocrystalline PV Module
FYSMH120P Series (166)



MBB & Half Cut cell technology



Guaranteed 0~+5W positive tolerance to ensure power output



Dual stage 100% EL Inspection Warranting Defect-Free Product



Less hot spot & shading effects



Excellent mechanical load 2400Pa and snow load 5400Pa resistance



Lower BOS cost and LCOE



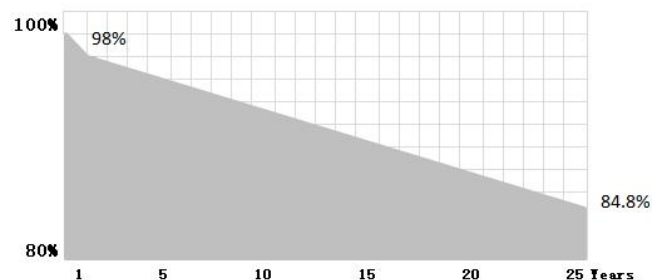
Excellent PID resistance.

Comprehensive Certificates

- IEC61215, IEC61730
- TUV, CE
- ISO9001: 2015
- ISO14001: 2015
- ISO45001: 2018

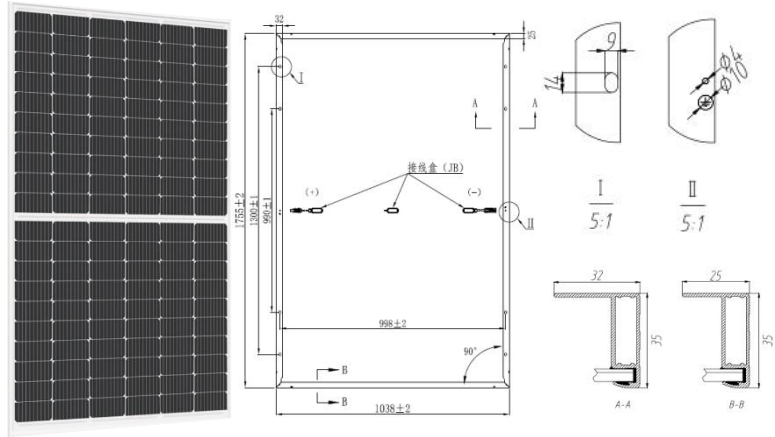


Superior Warranty



Mechanical Specifications @STC

Solar Cells:	Mono
Number of Cells:	120pcs
Module Dimension:	1755×1038×35mm
Weight:	19 kg
Snow/Wind Load:	5400/2400 Pa
Thickness of Glass:	3.2mm
Junction Box:	IP68, 3 Diodes
Connector:	HTC-16, IP68



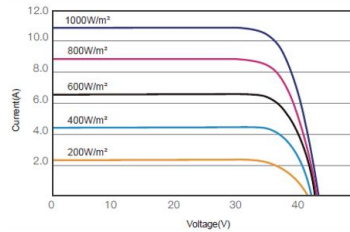
Electrical Specifications @STC

Pmax (W) 0~5W	Umpp (V)	Imp(A)	Uoc (V) ±3%	Isc(A) ±3%	Module Efficiency	Max System Voltage	Max Series Fuse
365	33.87	10.79	41.09	11.32	20.04%	1500V	20A
370	34.08	10.88	41.31	11.41	20.31%	1500V	20A
375	34.26	10.95	41.54	11.50	20.59%	1500V	20A
380	34.43	11.06	41.77	11.61	20.86%	1500V	20A

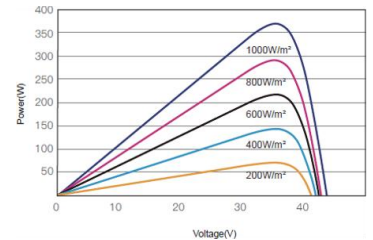
Temperature Parameter

Temperature Cycling Range:	-40°C ~ +85°C
Norminal Module Operating Temperature:	45±2 °C
Temperature Coefficient of Isc:	0.021%/°C
Temperature Coefficient of Voc :	-0.250 %/°C
Temperature Coefficient of Pmax :	-0.337%/°C

I-V Curve



FYSMH120P-375W



Packaging Configuration

Modules Per Pallet:	31pcs
Modules Per 40' HQ:	806pcs

Guarantee

12-year warranty on materials & workmanship
25-year linear power output warranty

※ Specifications subject to technical changes and tests, Fuyesen Power reserves the right of final interpretation.